



INT VS

UNDERGROUND OPERATOR
FOR SWINGING GATES AND
DOORS

6-1624834 /rev.4 - 24/02/2023

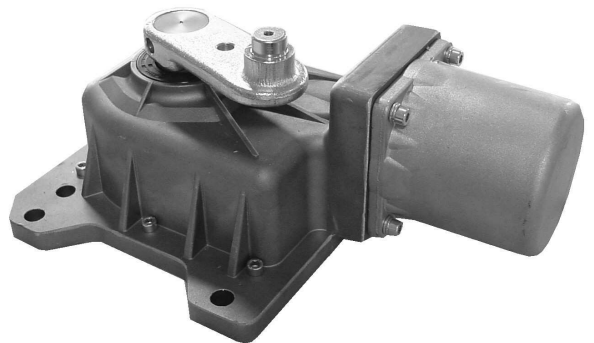


INDEX

	Pag.
PACKING CONTENTS	2
VIEW OF TYPICAL AUTOMATION AND NAMES OF COMPONENTS	3
TECHNICAL DATA.....	3
DIMENSIONS	4
TYPICAL CONNECTION AND CABLE SECTION.....	4
CONSIDERATIONS FOR INSTALLATION.....	5
INSTALLATION.....	5-6-7-8-9
TROUBLESHOOTING.....	10
SAFETY PRECAUTIONS	11

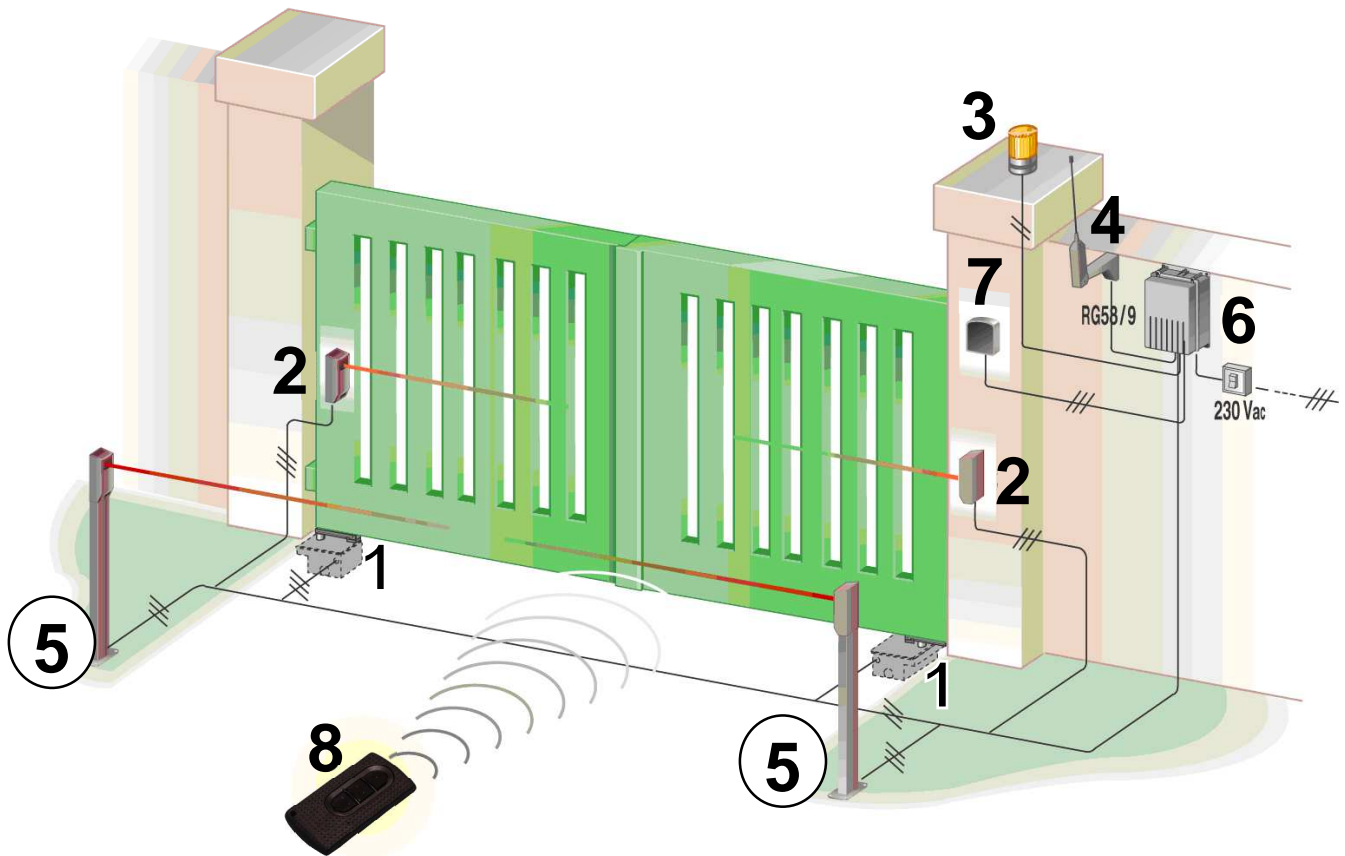
PACKING CONTENTS

1- UNDERGROUND OPERATOR



1- CONDENSER (230Vca)

VIEW OF TYPICAL AUTOMATION AND NAMES OF COMPONENTS

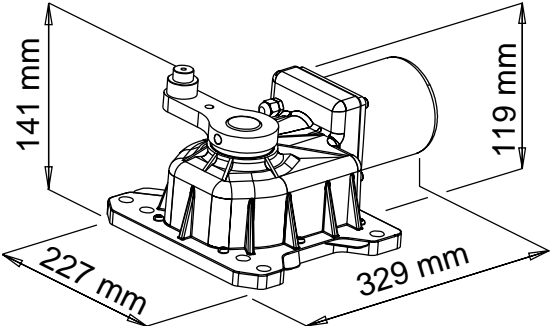
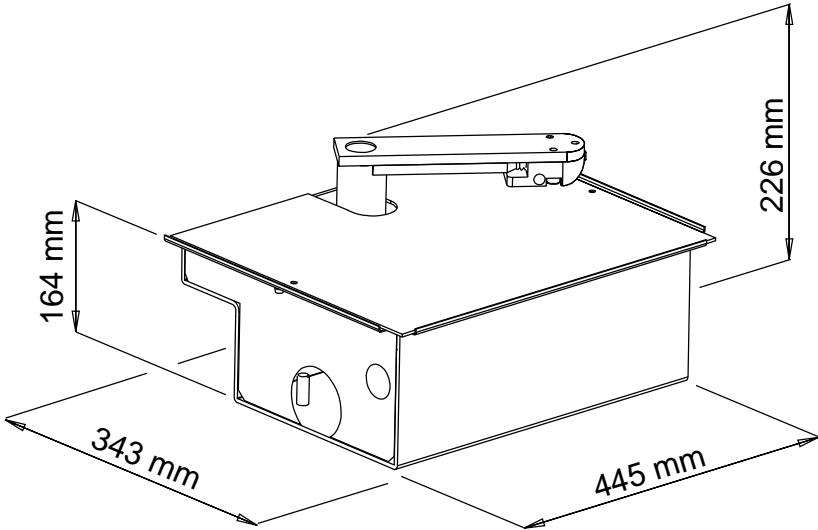


Optimal installation

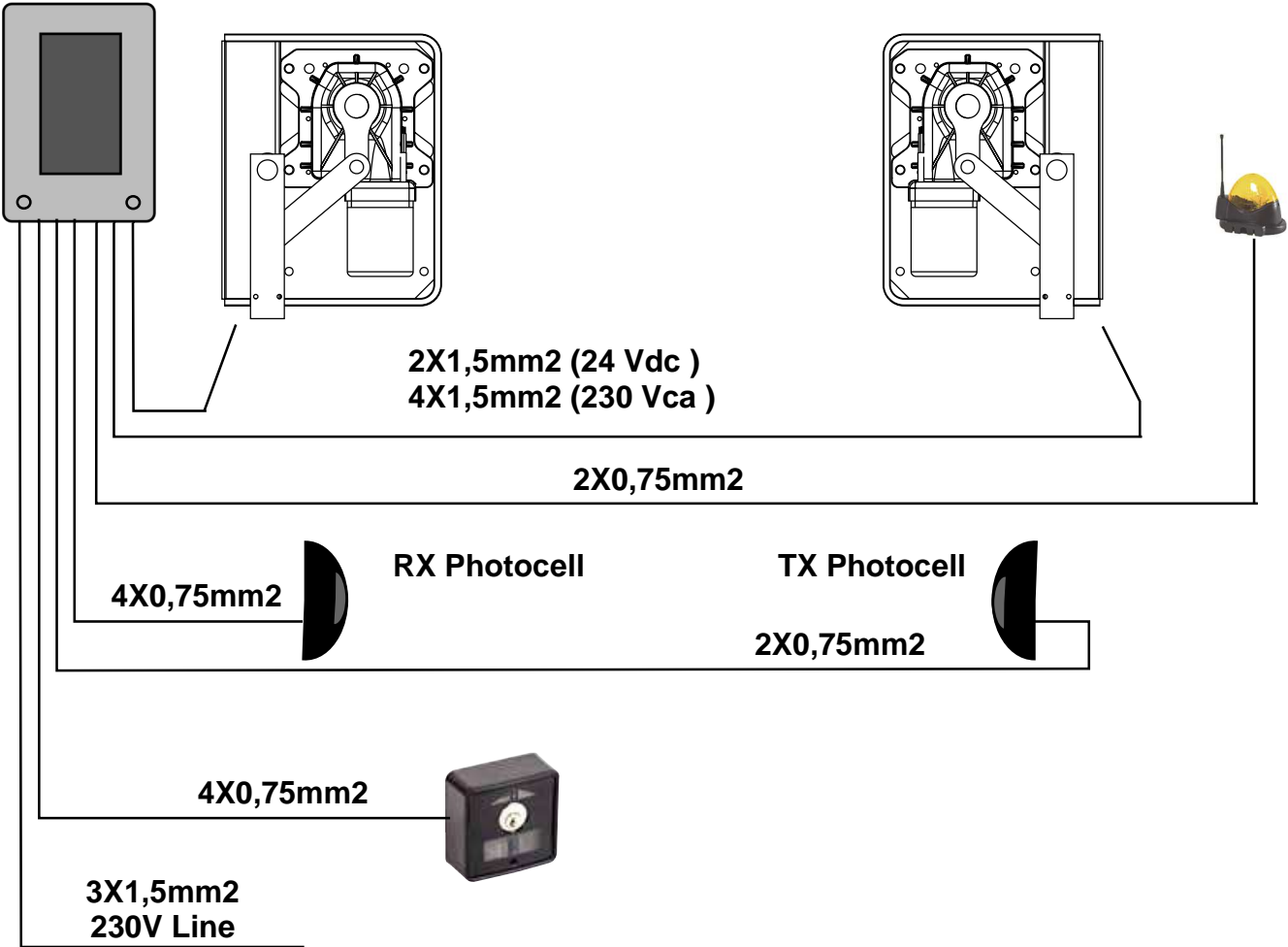
- | | |
|---------------------------|----------------------------|
| 1- Operator | 5- Internal photocell |
| 2- External photocell | 6- Electronic control unit |
| 3- Flashing warning light | 7- Key-switch |
| 4- Antenna | 8- Remote control |

TECHNICAL DATA	24V	230V
Max. weight of gate	400 Kg	500 Kg
Max. width of gate	2,50 mt	
Motors power supply	24 Vdc	230 Vac
Motor power	50 W	280 W
Motor RPM	1800	1400
Condenser	/	12,5 µF
Mechanical unlock for emergency manoeuvre	With key	
Working temperature	-20° C / +55° C	
weight	10 Kg	
Protection rating	IP 67	
Opening time 90°	16 sec	
Force of thrust	250 Nm	
motor current input	3 A	1.4 A

DIMENSIONS



TYPICAL CONNECTION AND CABLE SECTION



CONSIDERATIONS FOR INSTALLATION

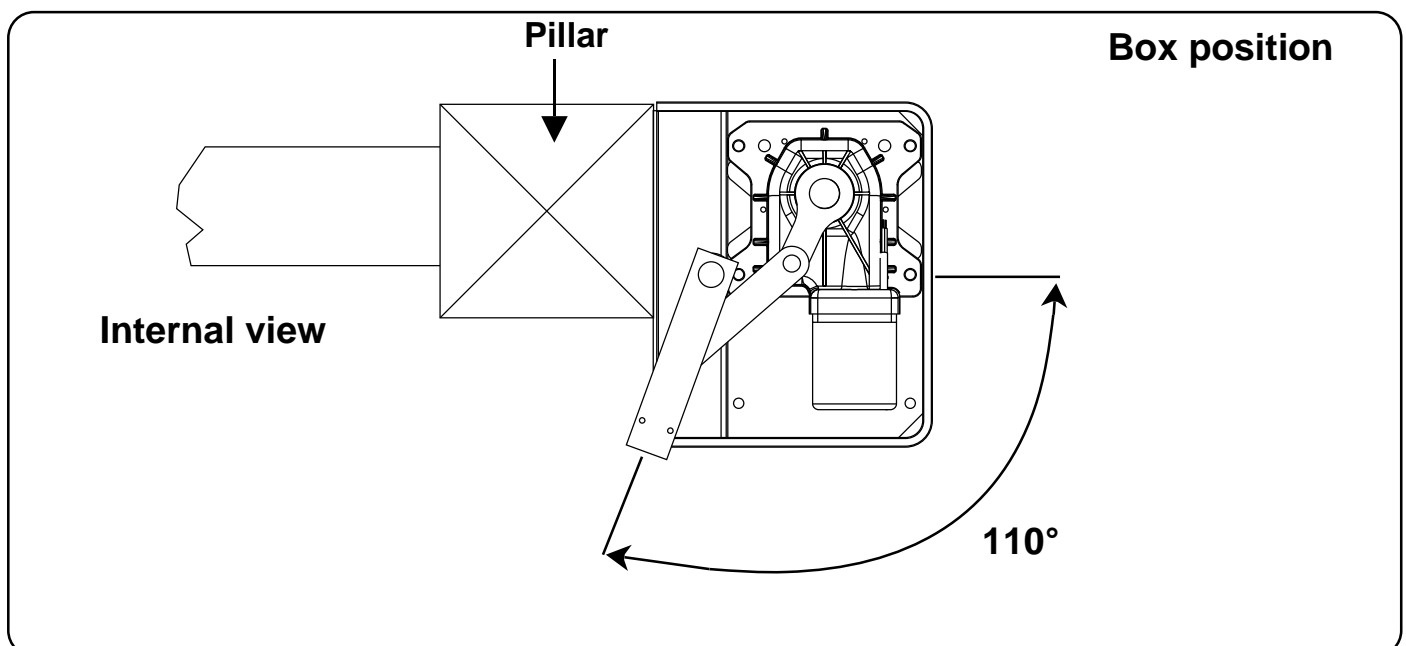
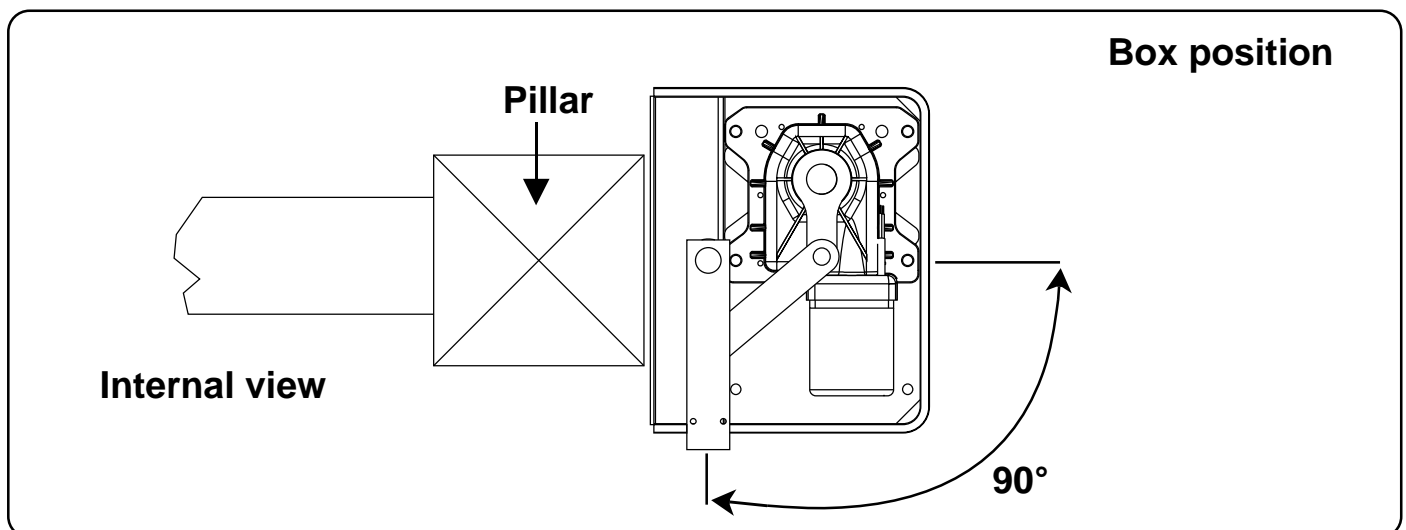
- The installation and testing operations must be performed solely by qualified personnel in order to guarantee the proper and safe operation of the automatic gate.
- The company declines any responsibility for damage caused by incorrect installations due to incompetence and/or negligence.
- Before assembling the automatism, check that the gate is in perfect working order, hangs well on its hinges and is suitably lubricated. It must also comply with the safety standards in force in the country of installation..

INSTALLATION

Introductory note: Dig a hole big enough to hold the foundation box, calculate the required opening angle, insert the sheath for laying the power cable, make water drainage holes in the ground and cement the box solidly.

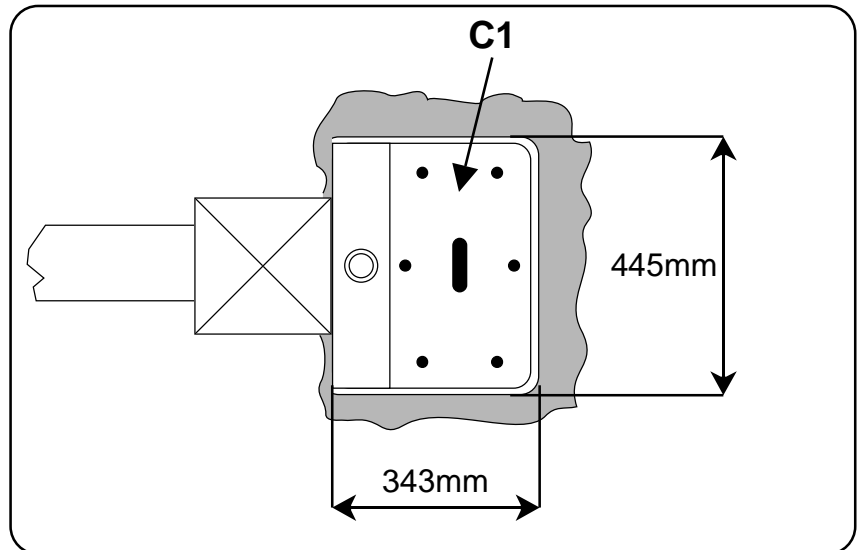
GATE WING OPENING ANGLE

Establish the required opening angle



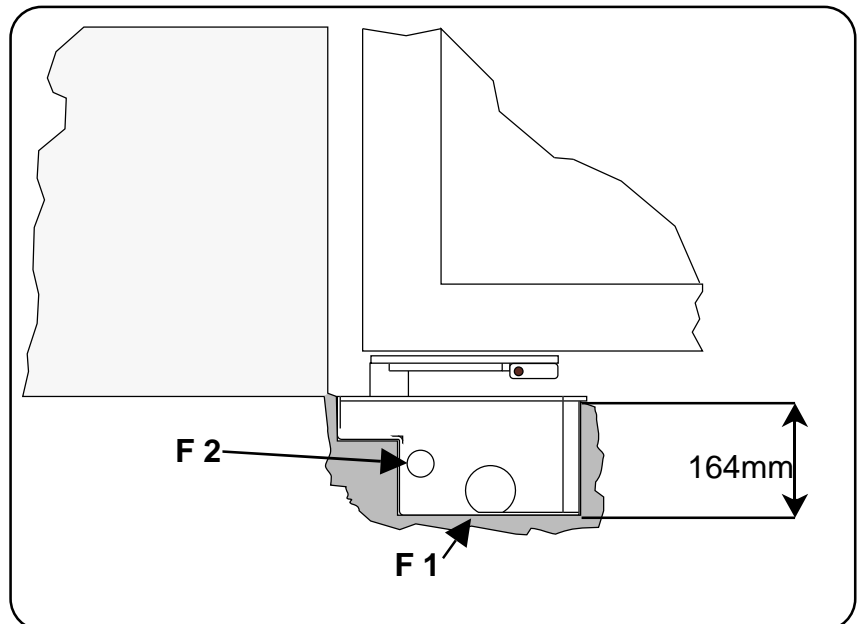
BOX INSTALLATION PROCEDURE

Dig a hole big enough to hold the box containing the operator **(C1)**



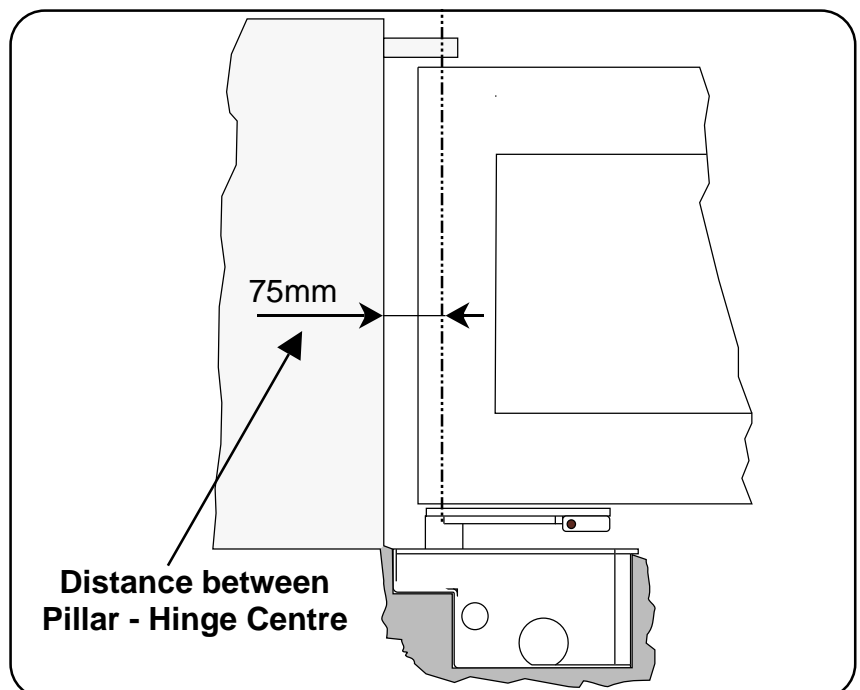
Insert the tube for water drainage in the prepared hole **(F1)**

Insert the sheath for laying the power cables **(F2)**.



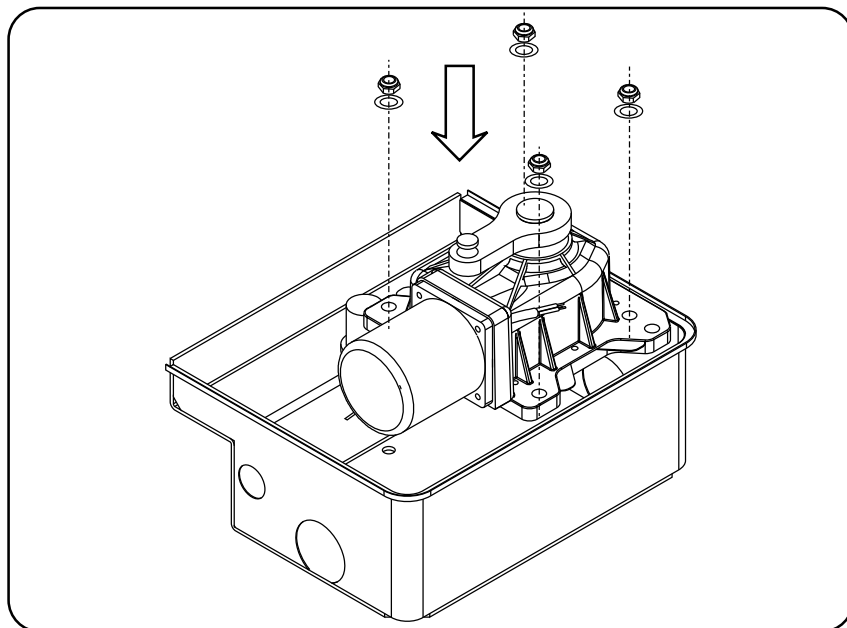
Note: while positioning the box, keep in mind the minimum distance there must be between the pillar and the centre of rotation of the gate hinge.

Cement so that the box cannot be moved, wait for it to dry and then assemble the operator and levers.

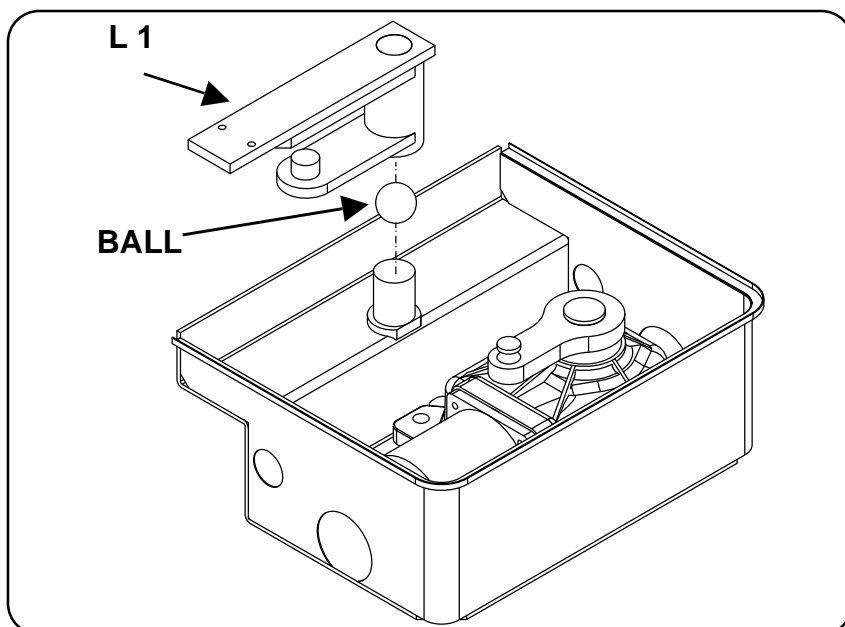


ASSEMBLING THE OPERATOR AND LEVERS

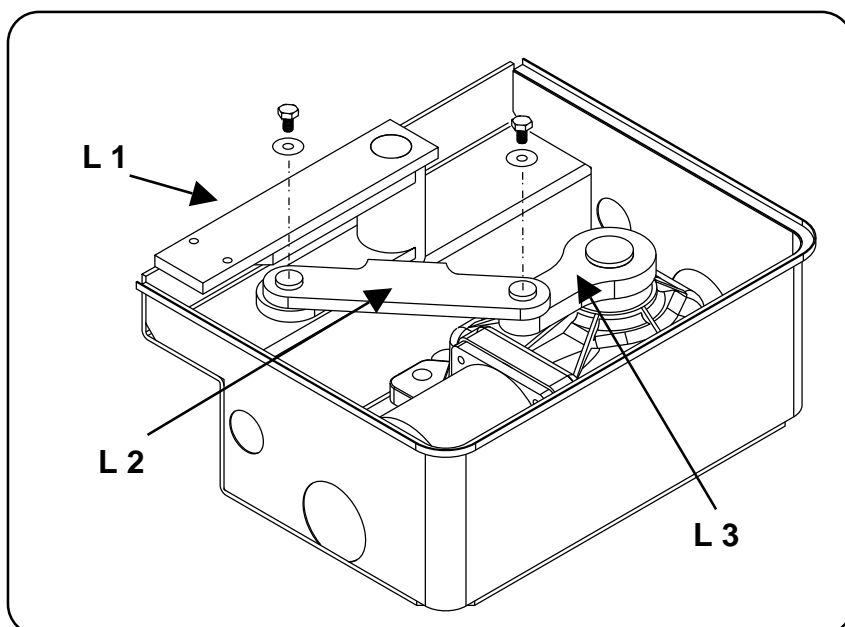
Insert the motor into the foundation case and fix it with nuts and washers supplied



Insert the ball in the pin located on the box and fit the gate anchorage lever (L1)

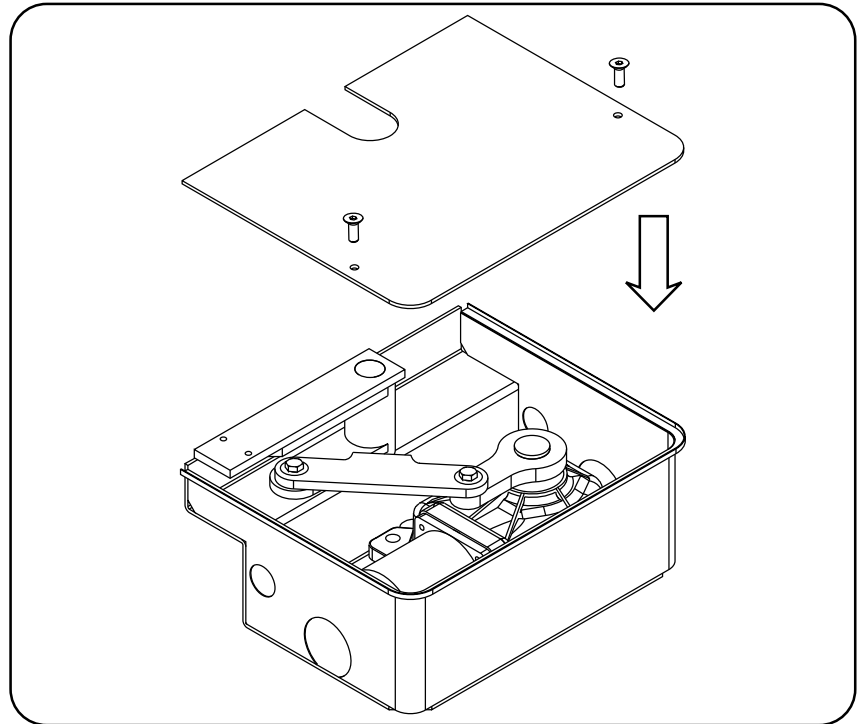


Put the connection lever (L2) between the levers (L3) and (L4) and block it with screws and washers supplied

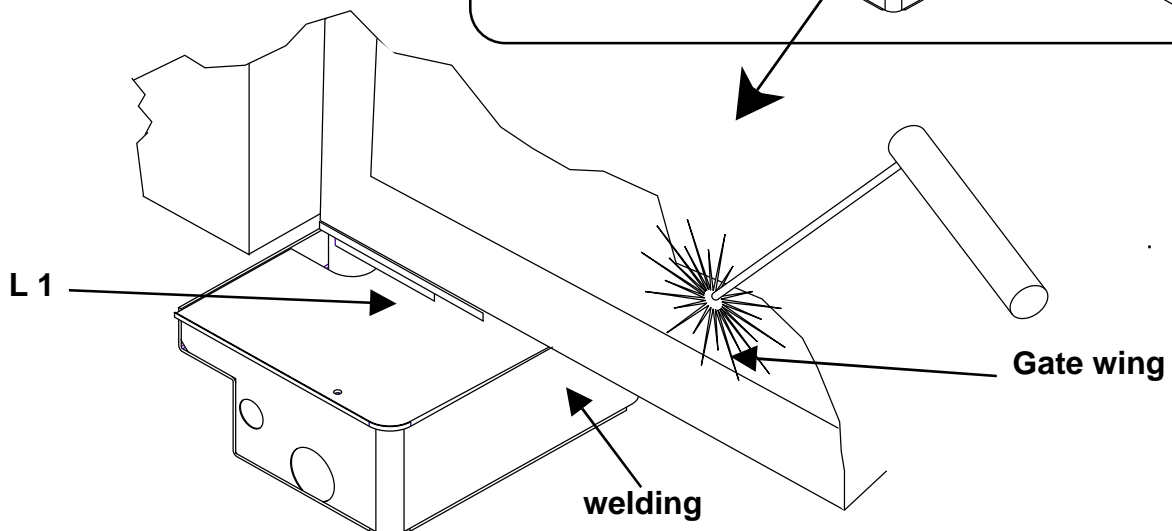
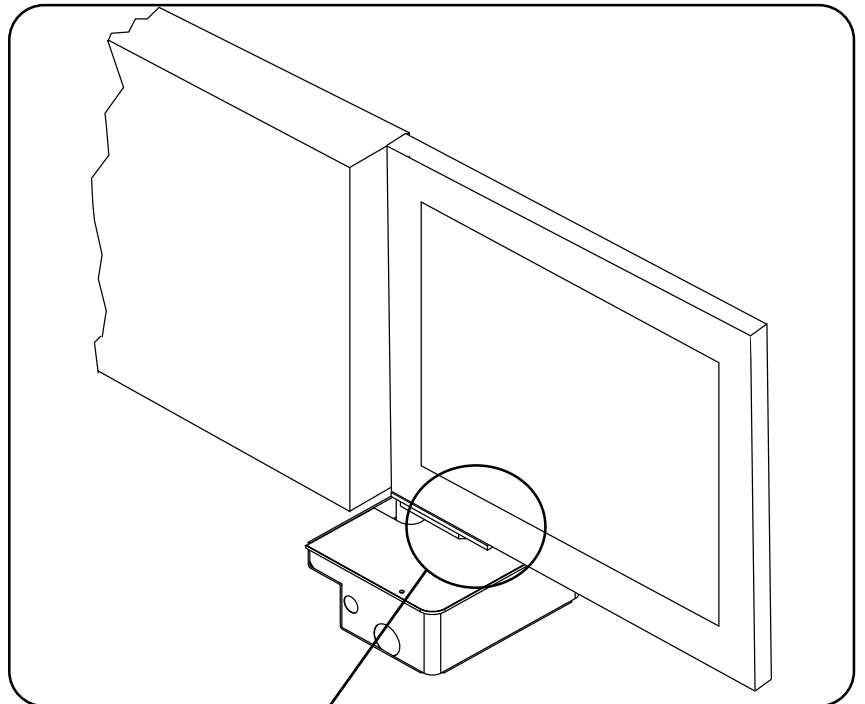


FASTENING THE OPERATOR LEVER TO THE GATE

Insert the cover and fasten it with the screws provided



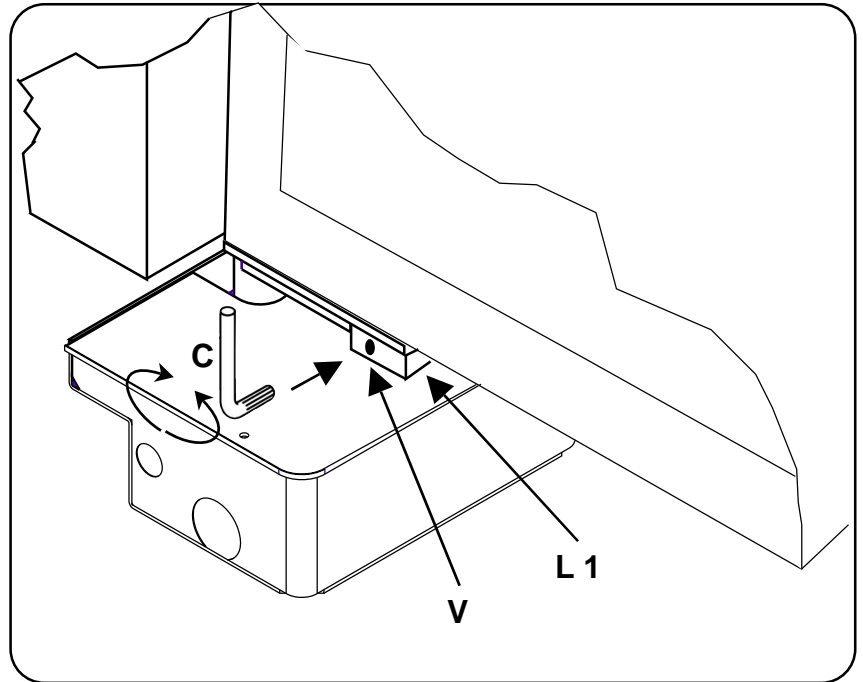
Position the gate wing and the lever (**L1**) so that they are perfectly aligned and fasten them by welding or similar.



EMERGENCY RELEASE PROCEDURE

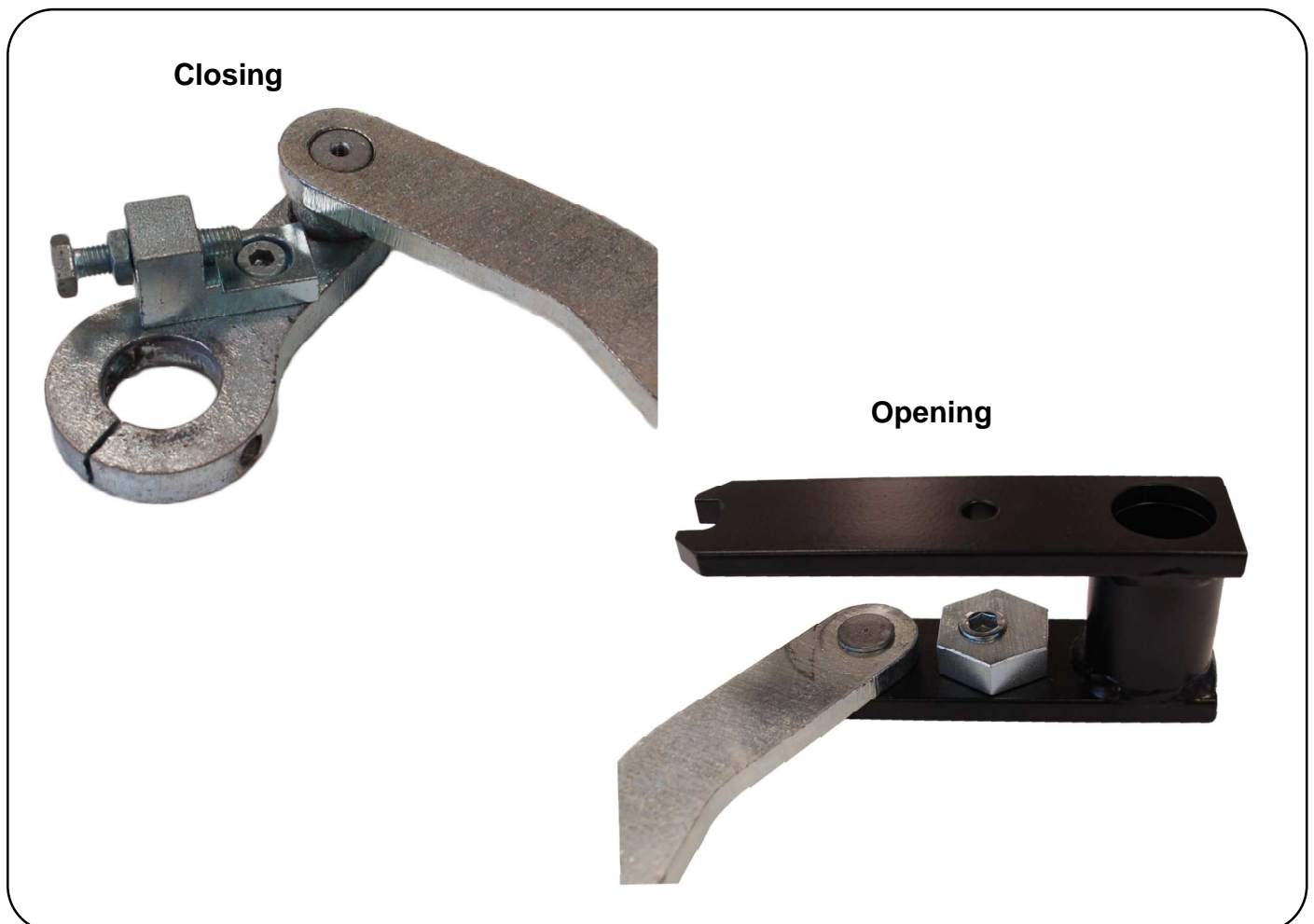
Insert the key **C** provided into the appropriate hole on the lever **L1**

Turn the key



LIMIT SWITCHES ASSEMBLY (OPTIONAL)

Insert, regulate and block the mechanical limit switches in the desired position



TROUBLESHOOTING

PROBLEM	PROBABLE CAUSE	SOLUTION
On giving a command with the remote control or with the key-switch, the gate doesn't open or the motor doesn't start	230 volt mains voltage absent	Check master switch
	Emergency STOP present	Check for any STOP selectors or commands. If not used, check jumper on STOP contact input on the control board
	Fuse blown	Replace with one of same value.
	Power cable of motor or motors not connected or faulty.	Connect the cable to appropriate terminal or replace.
	The photocell is not functioning or the beam is interrupted	Check the connection, remove any obstacle across the beam
On giving a command with the remote control, the gate doesn't open but works with the key command	The remote control has not been memorised or the battery is flat	Carry out the remote control learning procedure on the radio receiver or replace the battery with a new one..
The gate starts, but stops immediately	The force of the motor or motors is insufficient	Modify the value with the FORCE trimmer on the control unit
One wing opens and the other closes	The connection is not correct	Invert the connection of the cable of the motor which rotates in the wrong sense

N.B. - If the problem persists, contact your Retailer or the nearest Service Centre

SAFETY PRECAUTIONS

These warnings are an essential, integral part of the product and must be given to the user. They provide important indications on the installation, use and maintenance and must be read carefully. This form must be preserved and passed on to subsequent users of the system. The incorrect installation or improper use of the product may be dangerous.

INSTALLATION INSTRUCTIONS

- The installation must be performed by professionally skilled personnel and in compliance with current local, state, national and European legislation.
- Before beginning the installation, check the integrity of the product.
- The laying of cables, electrical connections and adjustments must be workmanlike performed.
- The packing materials (cardboard, plastic, polystyrene, etc.) are a potential hazard and should be disposed of correctly and not left within reach of children.
- Do not install the product in potentially explosive environments or environments disturbed by electromagnetic fields. The presence of inflammable gases or fumes is a grave danger to safety.
- Set up a safety device for overvoltage, a disconnecting and/or differential switch suitable for the product and conforming to current standards.
- The manufacturer declines any and all responsibility for product integrity, safety and operation in the event incompatible devices and/or components are installed.
- Solely original spare parts should be used for repairs and replacements.
- The installer must provide all the information relating to the operation, maintenance and use of the individual parts, components and system as a whole.

WARNINGS FOR THE USER

- Read the instructions and enclosed documentation carefully.
- The product must be used for the express purpose for which it was designed. Any other use is considered improper and therefore hazardous. In addition, the information given in this document and in the enclosed documentation may be subject to modifications without prior notice. It is given as an indication only for product application. The company declines any responsibility for the above.
- Keep products, devices, documentation and anything else provided out of reach of children. In the event of maintenance, cleaning, breakdown or faulty operation of the product, cut off the power and do not attempt to operate on the product. Contact solely the professionally skilled personnel responsible for these operations. Failure to adhere to the above indications may be dangerous.



DISPOSAL OF THE PRODUCT

This product is an integral part of automation, and therefore must be disposed of together with it. As with installation operations, even at the end of the life of this product, dismantling operations must be carried out by qualified personnel. This product consists of various types of materials: some can be recycled, others must be disposed of. Find out about the recycling or disposal systems required by the regulations in force in your territory for this category of product.

WARNING! - certain parts of the product may contain pollutants or dangerous substances which, if dispersed in the environment, could have harmful effects on the environment and human health.

As indicated by the symbol on the side, it is forbidden to throw this product into household waste. Then perform the “separate collection” for disposal, according to the methods provided by the regulations in force in your territory, or return the product to the seller when buying a new equivalent product.

WARNING! - the regulations in force at local level may provide for heavy penalties in case of improper disposal of this product.

WARRANTY

The manufacturer's warranty is valid from the date stamped on the product and is limited to the repair or replacement free of charge of the parts recognized by the same as defective due to lack of essential quality in the materials or lack of processing. The warranty does not cover damage or defects due to external agents, maintenance deficiency, overload, natural wear, choice of incorrect type, assembly error, or other causes not attributable to the manufacturer. Tampered products will not be guaranteed or repaired. The data given are purely indicative. No liability may be charged for reductions in scope or malfunctions due to environmental interference. The liability of the manufacturer for damage caused to anyone by accidents of any nature caused by our defective products, are only those that derive from the Italian law.



ALLMATIC S.r.l

Via dell'Artigiano, n°1 – Z.A.

32026 - BORGO VALBELLUNA - Belluno – Italy

Tel. 0437 751175 – 751163 r.a. Fax 0437 751065

www.allmatic.com - E-mail: info@allmatic.com